

Amadeus Evolution & Amadeus 2

Wide range of extensive heat panel
with integrated presence sensor

Characteristics

- ▶ Extensive heat panel with black painted extruded aluminum heating element & digital display
- ▶ Up to 30% energy savings* thanks to integrated presence detector when equipped with Presence/absence detection functions⁽¹⁾
- ▶ Models starting at 300 W for low-energy consumption houses

Comfort

- Extruded aluminium heating element with wide radiating surface area
- Front electric air outlet

Savings

- Presence /absence detection functions⁽¹⁾
- Consumption indicator for responsible, informed use of the equipment⁽¹⁾
- Control with multi-tariff digital thermostat⁽²⁾
- 6-command pilot wire: Comfort, Comfort - 1 °C, Comfort - 2 °C, Eco, Frost-free, Off
- Mode switch: Comfort, Eco, Frost-free, Off, Programme

User-friendliness

- Control locking device
- ASP (Anti-Staining Process) to reduce staining on wall and on equipment

Design

- Heating light indicator
- Colour shade: white (RAL 9016)






Amadeus
Evolution



Amadeus 2

Easy to install

<p>Models available**</p>  <p>1 2 3 4</p>	<p>Output</p> <p>EXTENSIVE HEAT PANEL HEATER</p> <p>300 TO 2000 W</p>	<p>Energy savings</p> <p>UP TO 30% ENERGY SAVINGS**</p> <p>UP TO 15% ENERGY SAVINGS***</p>
<p>Controls</p>  <p>Digital controls</p>	<p>Technology</p>  <p>Presence sensors</p>	<p>Heating element type</p> <p>ALUMINIUM HEATING ELEMENT</p>

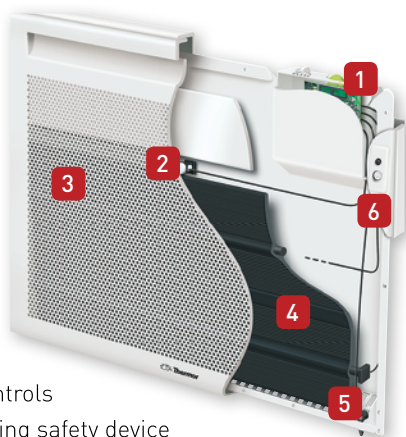
*Compared to a mechanical convector

**For Amadeus Evolution, compared to a mechanical convector

***For Amadeus, compared to a mechanical convector

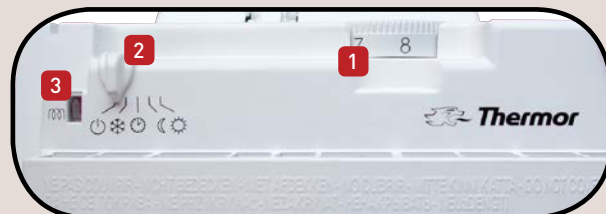
****Models available: 1. Standard - 2. Low - 3. High - 4. Plinth

(1) For Amadeus Evolution - (2) For Amadeus 2 only



- 1 Digital controls
- 2 Over-heating safety device
- 3 Perforated frontal air outlet
- 4 Extruded aluminium heating element
- 5 Room temperature sensor
- 6 Presence sensor

CONTROL PANEL



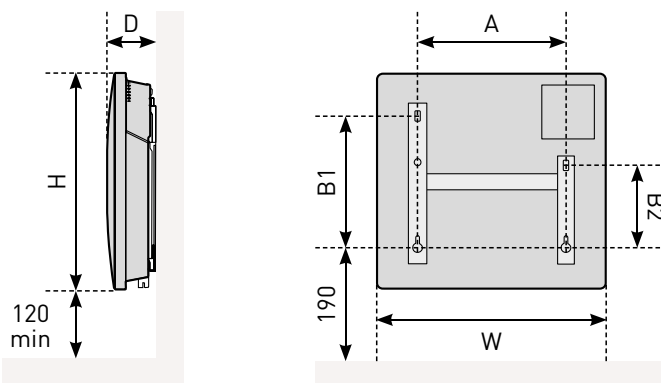
- 1 Comfort mode setting knob
- 2 Mode setting cursor (Shutdown, Anti-frost, Programming, Comfort, Eco)
- 3 Heating light indicator

Compatible
with standing kit*



*Optional, to be purchased separately

Installation dimensions (in mm)



AMADEUS EVOLUTION & AMADEUS 2

Technical data

Output (W)	Dimensions (mm)						Net weight (kg)
	Width (W)	Height (H)	Depth (D)	A	B1	B2	
Amadeus Evolution							
300	443	451	120	195	256	158	4.8
500	443	451	120	195	256	158	4.8
750	517	451	120	269	256	158	5.4
1000	517	451	120	343	256	158	6.2
1250	739	451	120	491	256	158	7.4
1500	813	451	120	565	256	158	7.9
2000	1035	451	120	787	256	158	9.8
Amadeus 2							
750	520	450	98	269	256	158	5.3
1000	595	450	98	343	256	158	6
1250	740	450	98	491	256	158	7.4
1500	815	450	98	565	256	158	8.1
2000	1035	450	98	787	256	158	10.2

