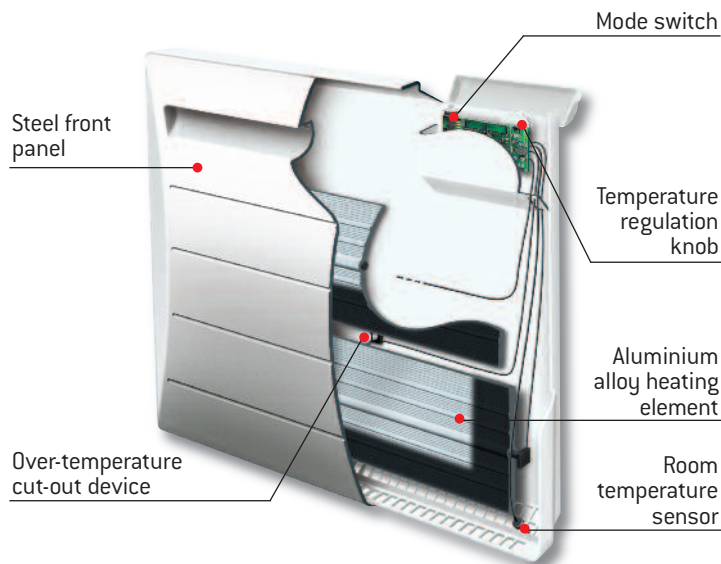


ELECTRIC HEATERS

Mozart



FRENCH TECHNOLOGY 



RATINGS AND DIMENSIONS

Horizontal						
Rating [W]	Depth* [mm]	Width [mm]	Height [mm]	Weight [kg]	A [mm]	B [mm]
750	135	444	599	6,6	269	345
1000	135	592	599	8,4	417	345
1250	135	740	599	10,2	566	345
1500	135	888	599	12,1	713	345
2000	135	1110	599	15,1	935	345

*Note: Depth dimension includes fixing bracket.

