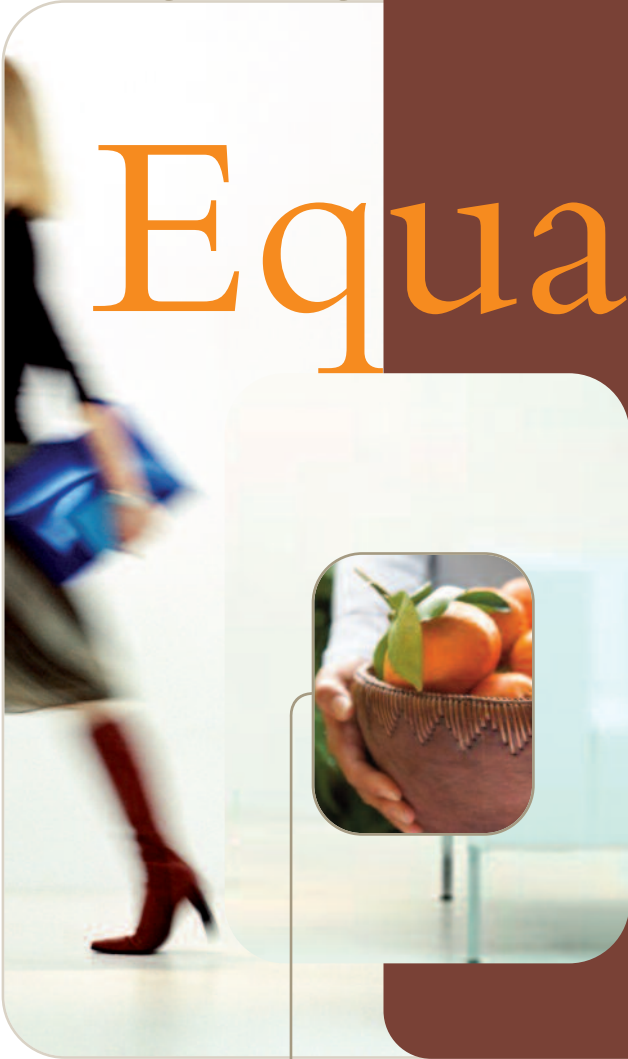
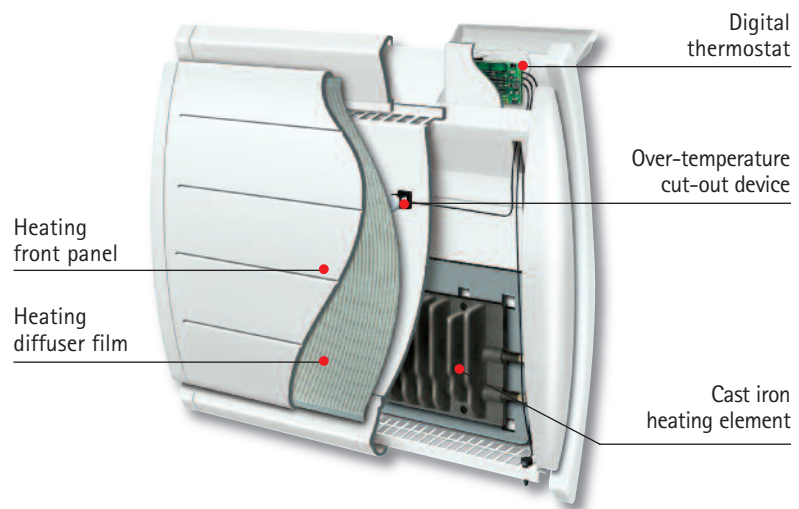


ELECTRIC HEATERS

# Equateur



FRENCH TECHNOLOGY 



## RATINGS AND DIMENSIONS

High							
Rating (W)	Depth* (mm)	Width (mm)	Height (mm)	Weight (kg)	A (mm)	B1 (mm)	B2 (mm)
1000	136	468	1162	25,5	338	307	412
1500	136	468	1384	28	338	418	523
2000	136	468	1606	35	338	529	634

\*Note: Depth dimension includes fixing bracket.

Horizontal							
Rating (W)	Depth* (mm)	Width (mm)	Height (mm)	Weight (kg)	A (mm)	B1 (mm)	B2 (mm)
750	142	491	615	11,5	269	345	-
1000	142	639	615	15,4	417	345	-
1250	142	787	615	19	566	345	-
1500	142	935	615	23	713	345	-
2000	142	1157	615	31,5	935	345	-

\*Note: Depth dimension includes fixing bracket.

Low							
Rating (W)	Depth* (mm)	Width (mm)	Height (mm)	Weight (kg)	A (mm)	B1 (mm)	B2 (mm)
750	136	718	468	15	549	180,5	311,5
1000	136	866	468	18	697	180,5	311,5
1500	136	1162	468	25	993	180,5	311,5

\*Note: Depth dimension includes fixing bracket.

