

Riva 2

Convenience of an elegant bathroom radiator with fan and accessible controls

Characteristics

- ▶ The essential solution for both towel-drying and room heating, with large rails and fan option
- ▶ Available versions: 100% electric/mixed (water filled), standard/ narrow, with/without fan
- ▶ From 500 to 1000 W with an extra 1000W turbo fan heater available (fan models)

Comfort

- Heat conducting fluid
- Extra 1000 W turbo fan heater available (fan models)

Savings

- Multi-tariff digital thermostat
- 6-setting mode pilot wire: Comfort, Comfort -1°C, Comfort -2°C, Economy, Frost-free, Stop

User-friendliness

- Plug positioned approx. 30 cm from the bottom of the appliance
- Removable dust filter that can be cleaned without taking the device off the wall

Design

- Color shade: white (RAL 9016)



Easy to install

Models available*



1 2 3 4

Output

ACTIVE HEAT CONVECTOR
500 TO 1 000 W

Controls



Control knobs

Technology



Heating element type



* Models available: 1. Standard - 2. Narrow - 3. Standard with fan - 4. Narrow with fan



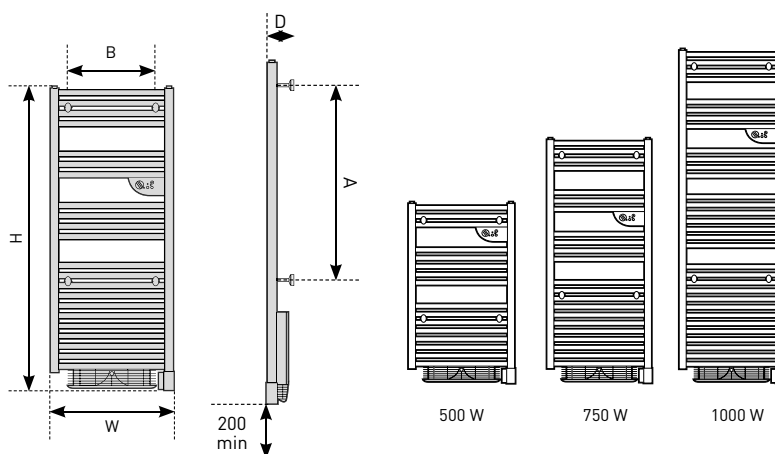
- 1 Towel rail tubes
- 2 Control unit
- 3 Temperature limiter (safety)
- 4 Heating element
- 5 Regulation sensor
- 6 Summer/winter shielded resistance start/stop switch*
- 7 Shielded resistance start/stop display light
- 8 Heat conducting fluid
- 9 Vertical tubes

*Mixed version.



- 1 Temperature setting knob with anti-frost & comfort mode and heating indicator
- 2 Start/Stop switch
- 3 Fan or forced operation switch
- 4 Turbo mode time setting dial (1/4 hr, 1/2 hr, 1 hr and 2 hr), associated light indicator

Installation dimensions (in mm)



RIVA 2

Technical data

Output (W)	Dimensions (mm)					Net weight (kg)	
	Width (W)	Height (H)	Depth (D)	Hot water power (W)*	A		B
Riva 2 Classic							
500	550	815	105	-	451	500	15
750	550	1225	105	-	861	500	21
1000	550	1749	105	-	1394	500	30
Riva 2 Fan							
500/ + 1000	550	829	150	-	451	500	17
750/ + 1000	550	1239	150	-	861	500	23
1000/ +1000	550	1772	150	-	1394	500	32
Riva 2 Mixed Fan							
500/ + 1000	550	829	150	367	451	500	12.5
750/ + 1000	550	1239	150	571	861	500	17
1000/ +1000	550	1772	150	876	1394	500	23



*Hot water power (Watts) for Δt hot water: 50°C