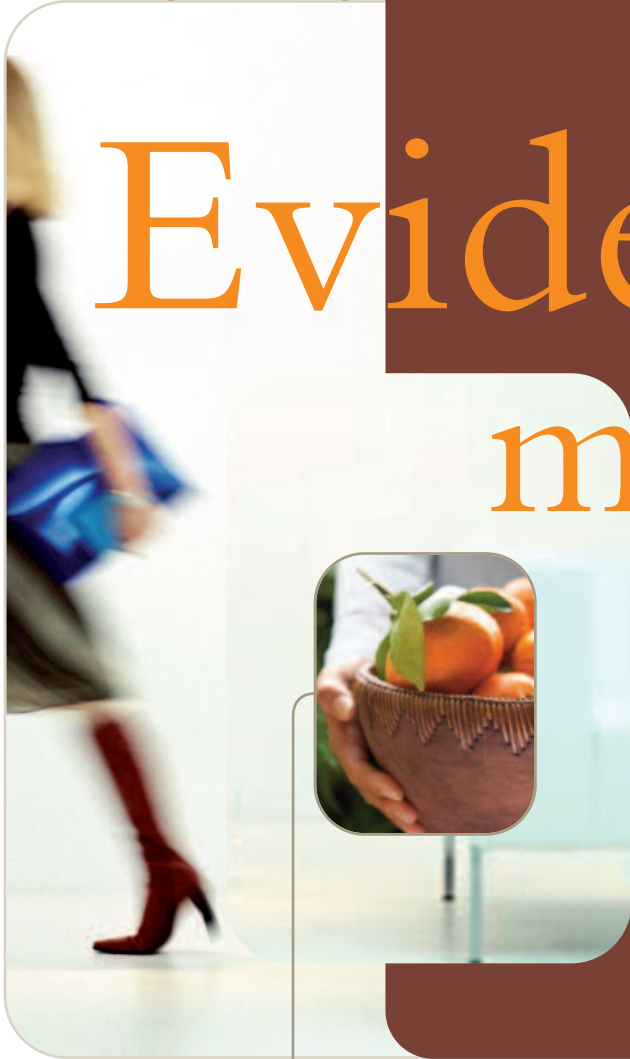
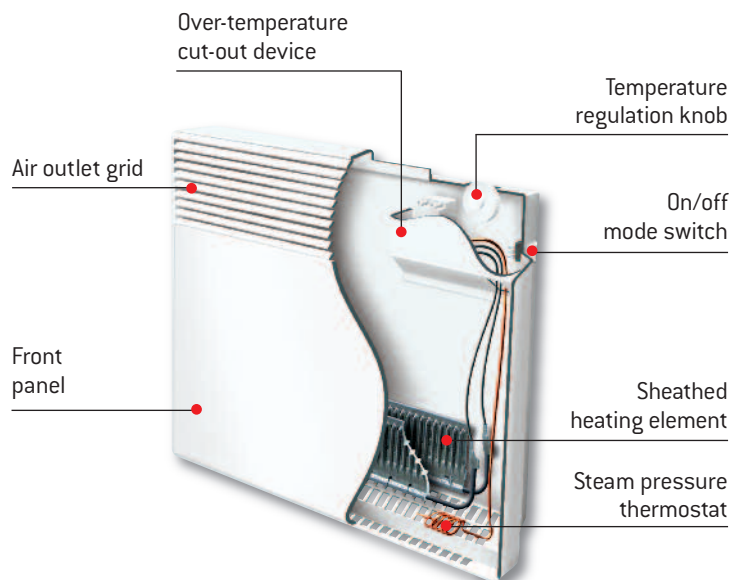


ELECTRIC HEATERS

# Evidence mechanical



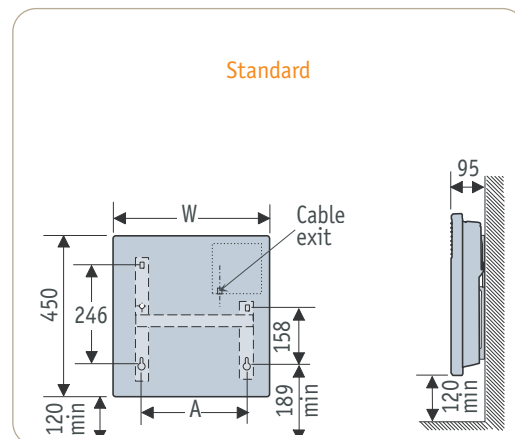
FRENCH TECHNOLOGY 



## RATINGS AND DIMENSIONS

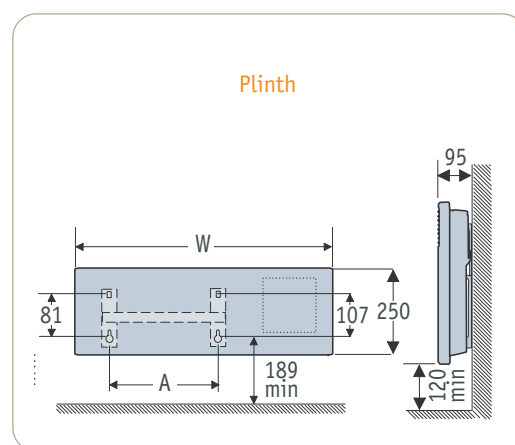
Standard					
Rating (W)	Depth* (mm)	Width (mm)	Height (mm)	Weight (kg)	A (mm)
500	95	370	450	3,35	121
750	95	370	450	3,35	121
1000	95	445	450	3,8	195
1250	95	520	450	4,4	269
1500	95	590	450	5,6	343
2000	95	740	450	6,2	491
2500	95	890	450	7,3	635

\*Note: Depth dimension includes fixing bracket.



Plinth					
Rating (W)	Depth* (mm)	Width (mm)	Height (mm)	Weight (kg)	A (mm)
500	95	665	250	4	208
1000	95	1110	250	6	652
1250	95	1185	250	7	726

\*Note: Depth dimension includes fixing bracket.








 (Depending on models)  
 (For other standards, consult us)